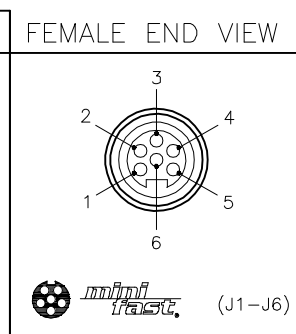
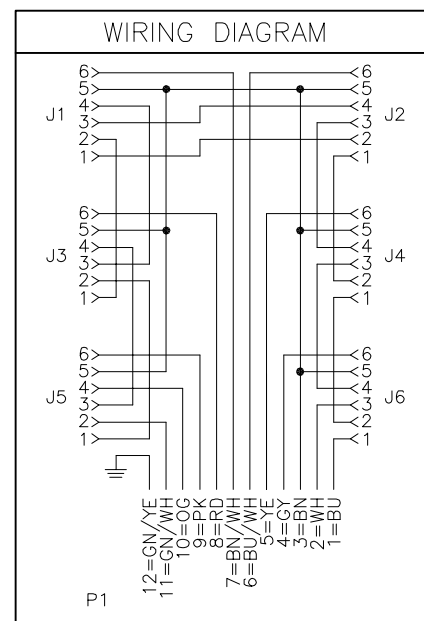


SPECIFICATIONS	
HOUSING MATERIAL	ALUMINUM ALLOY
HOUSING FINISH/COLOR	POWDER COAT/BLACK
RECEPTACLE HOUSING MAT'L/PLATING	BRASS/NICKEL
CONTACT CARRIERS	TPU
CONTACT MATERIAL/PLATING	BRASS/GOLD
CABLE JACKET MATERIAL/COLOR	PVC/YELLOW
OPERATING VOLTAGE	10-48 VDC
OPERATING CURRENT	4.0 A PER PORT
CONDUCTOR INSULATION MATERIAL	PVC
NUMBER OF CONDUCTORS [AWG]	12x18 AWG
DRAIN/SHIELD	20 AWG DRAIN/ALUMINIZED FOIL SHIELD
PROTECTION	NEMA 1,3,4,6P AND IEC IP67
OPERATING TEMPERATURE	-40°C to +90°C (-40°F to +194°F)



SOURCE DRAWING - FOR REFERENCE ONLY

NOTES:
 1. "/S883" DESIGNATES SPECIAL J-BOX, WIRED ACCORDING TO HOOPER ENG. DRAWING #DEV 1010.
 ↑ = KEY ORIENTATION

RELATED DOCUMENTS 1. 6 RKF-30-6M (U2360) 2. 3. 4.		3RD ANGLE PROJECTION 		THIS DRAWING IS CONFIDENTIAL AND THE PROPERTY OF TURCK INC. USE OF THIS DOCUMENT WITHOUT WRITTEN PERMISSION IS PROHIBITED.		3000 CAMPUS DRIVE MINNEAPOLIS, MN 55441 1-800-544-7769 (763) 553-7300 (763) 553-0708 fax www.turck.us	
MATERIAL SEE SPECIFICATIONS		DRFT JBJ DATE 9/1/98		DESCRIPTION 6 RKF 60-6M/S883			
FINISH SEE SPECIFICATIONS		APVD GC SCALE 1=2		UNIT OF MEASUREMENT MILLIMETER [INCH]		IDENTIFICATION NO. U2366-2	
G UPDATED LENGTH TO 36.0		ER 09/03/21 77006		DO NOT SCALE THIS DRAWING		REV G	
REV DESCRIPTION		BY DATE ECO NO.		FILE: U2366-2		SHEET 1 OF 1	